

SEG Reg. No. **IB32503**  
 Season Season 24/25  
 Brand INVU  
 Collection Optical  
 Segment Basic  
 Basic UDI-DI 76307757F3A250367  
 Product Category Medical Devices - Class I  
 Spectacle Frames

Supplier Swiss Eyewear Group  
 (International) AG  
 Freilagerstrasse 39, 8047  
 Zurich  
 Origin China



**Material Specifications**

Bridge	Stainless Steel
Browbar	
Nose pad	PVC semisoft 14mm clear INVU
Pad arms	Nickel Silver 12% 1.0mm screw box
Rims	Stainless Steel
Front hinge	Nickel Silver 22% 2 Flange Soldered
Temple hinge	Nickel Silver 22% 1 Flange Screwed
Temples	Carbon Fiber
Tips	Carbon Fiber

**Style Specifications**

Construction	Rimmed
Lens Fixation	Glazed
Groove	V Groove
Rim Lock	Open
Fit	Western
Screw Finish	Locktite Dip
Rxable	yes

**Logo Specification**

Décor	3D print
Size	1.6mm
Positioning	Left Tip Outside

**Marking Specifications**

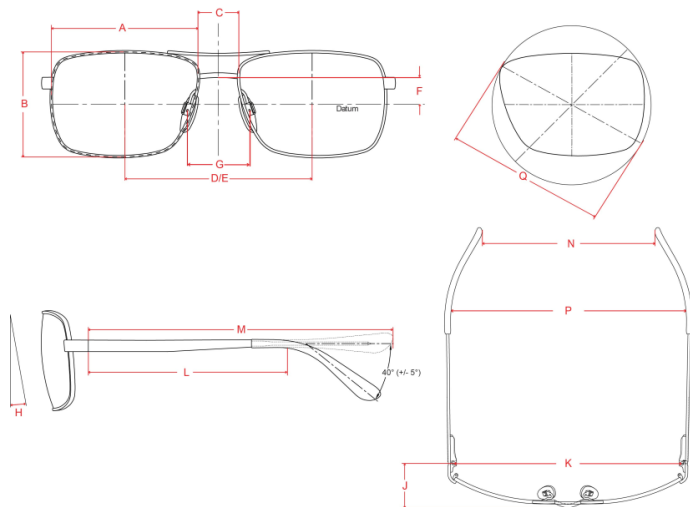
Left Temple Inside	<b>INVU.</b> <span style="border: 1px solid black; padding: 0 2px;">1.6mm</span> BY SWISS EYEWEAR GROUP  <span style="border: 1px solid black; padding: 0 2px;">1.2mm</span>
Right Temple Inside	<b>CEUK</b> <span style="border: 1px solid black; padding: 0 2px;">5mm</span> XX99999 X <span style="border: 1px solid black; padding: 0 2px;">1.4mm</span> 99 <span style="border: 1px solid black; padding: 0 2px;">99</span> 999 <span style="border: 1px solid black; padding: 0 2px;">1.4mm</span>
Right Tip Inside	99/99 <span style="border: 1px solid black; padding: 0 2px;">1.2mm</span>

**Lens Branding Specifications**

Right Center Bottom	<b>INVU.</b> <span style="border: 1px solid black; padding: 0 2px;">4mm</span> <span style="border: 1px solid black; padding: 0 2px;">R120</span>
---------------------	---

**Dimensions**

A	Horizontal Boxing - HB	56	K	Front Screw Distance - FSD	135
B	Vertical Boxing - VB	39	L	Screw to Ear Bend - SEB (+/- 5mm)	110
C	Distance Between Lenses - DBL	17	M	Temple Length - TL	145
D	Pupil Distance - PD		N	Distance Between Tips - DBT (+/- 10mm)	84
E	Boxed Center Distance - BCD	73	P	Cranial Width - CW	120
F	Under Bridge to Datum - UBD	13	Q	Effective Diametre - ED	61
G	Pad Center Distance - PCD	18	V	product.label.frontAngle	6
H	Inclination Angle - IA	9	X	product.label.templeFoldingAngle	1
J	Front Curve - FC	17			



SEG Reg. No.	<b>IB32503</b>	Supplier	Swiss Eyewear Group (International) AG
Season	Season 24/25		Freilagerstrasse 39, 8047 Zurich
Brand	INVU		
Collection	Optical	Origin	China
Segment	Basic		
Basic UDI-DI	76307757F3A250367		
Product Category	Medical Devices - Class I Spectacle Frames		



Frame Specifications

SEG Reg. No.	<b>IB32503A</b>	<b>IB32503B</b>	<b>IB32503C</b>
Front Colour	BRUSH DK GUN/GUN	M BRUSH GOL	M BLK/GUN
Front Col. Code	OP2382	9224	M BLK/HK2137
Temple Colour	SHINY GUN carbon fiber, GUN rivets	SHINY BRN carbon fiber, GUN rivets	M BLK carbon fiber, GUN rivets
Temple Col. Code	OP2356	9224	OP2330 MATT
Logo Color	DKG	DKG	DKG

Lens Specifications

Material	AC	AC	AC
Type	No	No	No
Colour	Clear	Clear	Clear
Lens Code	ACDEM	ACDEM	ACDEM
Thickness (mm)	1.2	1.2	1.2
Curve	4	4	4
Filter Category	0 - very light	0 - very light	0 - very light
Transmittance	99%	99%	99%
Suitable for Driving	no	no	no
Lens Treatment			
Lens Function	Not Suitable for Driving	Not Suitable for Driving	Not Suitable for Driving
Lens Branding	Standard Collection Branding	Standard Collection Branding	Standard Collection Branding

SEG Reg. No.	<b>IB32503</b>	Supplier	Swiss Eyewear Group (International) AG
Season	Season 24/25		Freilagerstrasse 39, 8047 Zurich
Brand	INVU		
Collection	Optical	Origin	China
Segment	Basic		
Basic UDI-DI	76307757F3A250367		
Product Category	Medical Devices - Class I Spectacle Frames		



Advisory Notes

**Product Purpose** These spectacle frames are a medical device of class I as per definition set by Annex VIII, chapter III of the European Regulation UE 2017/745.

This product complies with the European Regulation UE 2017/745 in conformance with the EU standard EN ISO 12870:2022.

These spectacle frames are a medical device to be used in combination with prescription lenses. Spectacle frames constitute a prop to provide a secure placement and retention of lenses in the prescribed position relative to the eyes.

The prescription of lenses shall be exclusively handled by a professional ophthalmic. For adjustment at final fitting please refer to a professional ophthalmic.

---

**UV Protection** The clear demo lenses in this frame are not intended for sunlight absorbtion.

---

**Restriction of use** Spectacle frames do not constitute a protection device for the eyes.

The lenses provided along with these frames are clear demo lenses, with no optical power, or UV protection filter.

Do not use in solaria, for protection against other artificial sources, or for direct observation of the sun. Please refer to a professional ophthalmic to provide and place prescribed lenses into the spectacle frame.

---

**Shock Resistance** These spectacle frames are resistant, but neither shatterproof or unbreakable.

---

**Cleaning Advice** Wash with tap water and soap - Clean with a soft tissue.

When not wearing, please keep the spectacle frames into a case.

In case of damage, please replace only with original parts.

---

**Technical Character** The materials used are nonflammable.

The test confirms that the frame is sufficiently robust.

The examined frames do not contain parts/edges which could cause harm to the consumer.

Tracing report available upon request.